

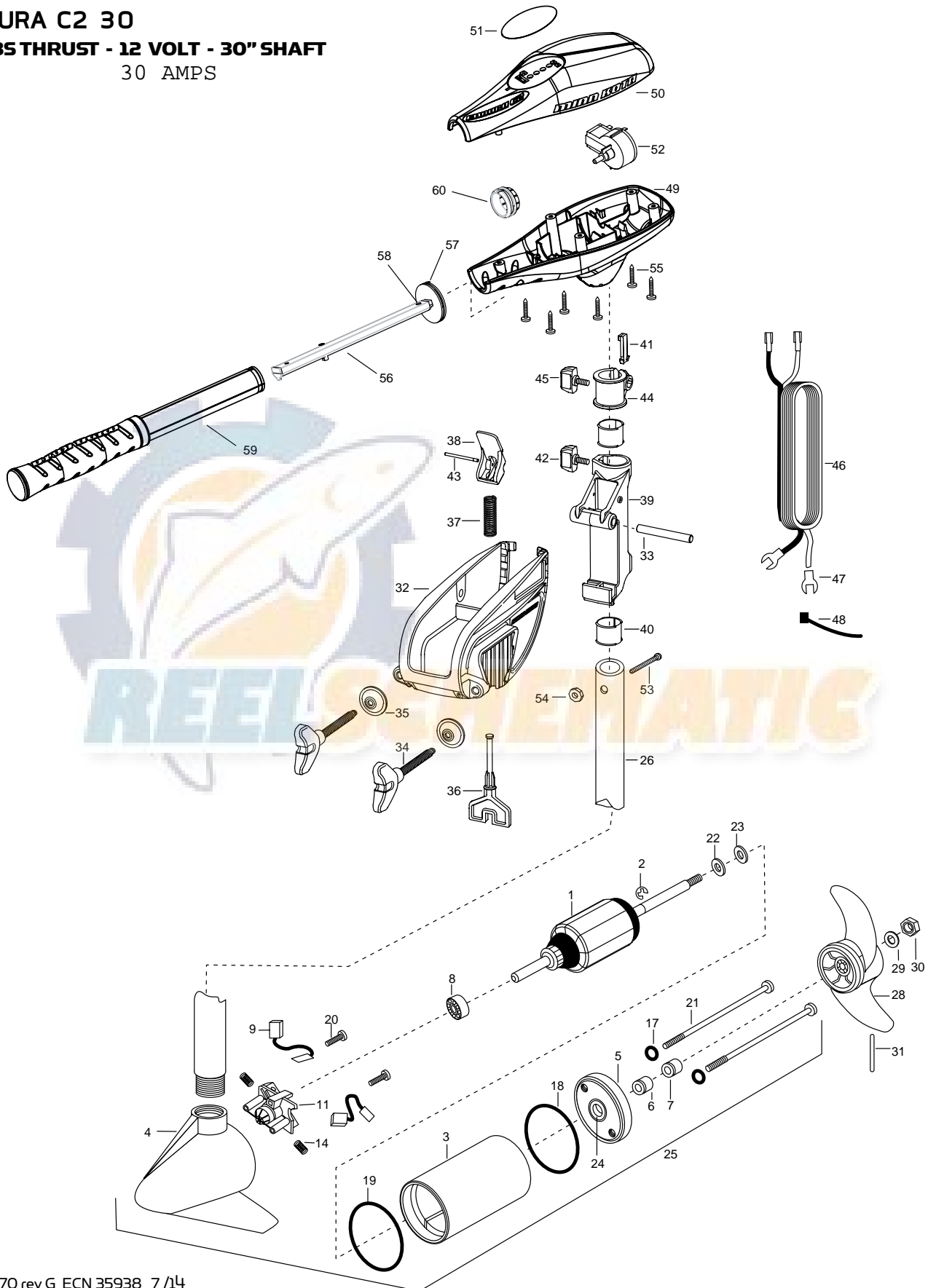
PARTS DIAGRAM

for use with "P" serial numbers 2-year warranty

ENDURA C2 30

30 LBS THRUST - 12 VOLT - 30" SHAFT

30 AMPS



PARTS LIST

ENDURA C2 30

30 LBS THRUST - 12 VOLT - 30" SHAFT

| ITEM | QTY | PART NUMBER | DESCRIPTION |
|------|-----|-------------|---|
| 1 | 1 | 2-100-287 | ARMATURE ASSEMBLY 12V 3.25 |
| 2 | 1 | 788-015 | RETAINING RING |
| 3 | 1 | 2-200-188 | HOUSING ASSEMBLY CENTER 3.25 TXT |
| 4 | 1 | 2-300-142 | BRUSH END HOUSING ASSEMBLY 3.25 SPCO |
| 5 | 1 | 2-400-188 | PLAIN END HOUSING ASSEMBLY 3.25 |
| 6 | 1 | 880-003 | SEAL |
| 7 | 1 | 880-006 | SEAL W/SHIELD |
| 8 | 1 | 140-010 | BALL BEARING |
| 9 | 2 | 188-052 | BRUSH ASSEMBLY |
| 11 | 1 | 738-030 | BRUSH PLATE W/HOLDER 3.25 |
| 14 | 2 | 975-032 | COMPRESSION SPRING |
| 17 | 2 | 701-007 | O-RING -- THRU BOLT |
| 18 | 1 | 701-039 | O-RING |
| 19 | 1 | 701-041 | O-RING |
| 20 | 2 | 830-001 | SCREW -- SELF THREAD #8-32X1.7 |
| 21 | 2 | 830-062 | THRU BOLT #8-32X8.0 |
| 22 | 1 | 990-067 | WASHER -- STEEL THRUST |
| 23 | 2 | 990-070 | WASHER -- NYLATRON |
| 24 | 1 | 144-049 | FLANGE BEARING (SERVICE ONLY) |
| 25 | 1 | 2069278 | MOTOR ASSEMBLY 12 V 3.25 5SP |
| 26 | 1 | 2032045 | 30" COMPOSITE TUBE |
| ■ | 1 | 1378121 | PROPELLER KIT (INCLUDES 28-31) |
| 28 | 1 | 2061122 | PROPELLER 3.25 HUB DIA |
| 29 | 1 | 2151726 | WASHER -- 5/16 STD SS |
| 30 | 1 | 2053101 | NUT -- PROP NYLOCK (MED) SS |
| 31 | 1 | 2092600 | DRIVE PIN |
| ■ | 1 | 2771818 | BRACKET & HINGE ASSEMBLY (INCLUDES 32-43) |
| ■ | 1 | 2771910 | BRACKET ASSEMBLY (INCLUDES 32, 34, 35) |
| *32 | 1 | 2061910 | BRACKET |
| 33 | 1 | 2060510 | HINGE PIN |

| ITEM | QTY | PART NUMBER | DESCRIPTION |
|------|-----|-------------|-------------------------------|
| *34 | 2 | 2061300 | SCREW -- CLAMP |
| *35 | 2 | 2011710 | WASHER -- CLAMP SCREW |
| 36 | 1 | 2063605 | PLASTIC T-BAR |
| 37 | 1 | 2062706 | T-BAR SPRING |
| 38 | 1 | 2067201 | BLACK TILT LEVER |
| 39 | 1 | 2061810 | PLASTIC HINGE |
| 40 | 2 | 2037301 | HINGE BUSHING |
| 41 | 1 | 2062800 | SNAP-IN TENSION BLOCK |
| 42 | 1 | 2011385 | SCREW -- TENSION/KNOB |
| 43 | 1 | 2060515 | TILT LEVER PIN |
| 44 | 1 | 2061520 | DEPTH COLLAR |
| 45 | 1 | 2011365 | SCREW -- COLLAR/NEW KNOB |
| 46 | 1 | 2020606 | LEADWIRE (14 GA) W/SPADE TERM |
| 47 | 2 | 2020703 | SPADE TERMINAL 14GA HD |
| 48 | 1 | 2256300 | TIE WRAP |
| 49 | 1 | 2062515 | CONTROL BOX |
| 50 | 1 | 2060215 | CONTROL BOX COVER |
| 51 | 1 | 2065700 | DECAL COVER ENDURA C2 30 |
| 52 | 1 | 2064023 | SWITCH -- FWD/REV 5 SP |
| 53 | 1 | 2033401 | SCREW -- #10-24 X 1-3/4 |
| 54 | 1 | 2013110 | NUT -- 10-24 HEX |
| 55 | 6 | 2012100 | SCREW -- #8-18 X 5/8 |
| 56 | 1 | 2990919 | INNER HANDLE ASSEMBLY |
| 57 | 1 | 2060405 | HANDLE PIVOT |
| 58 | 1 | 2012104 | SCREW -- #6 X 1/2" SS |
| 59 | 1 | 2990928 | OUTER HANDLE ASSEMBLY |
| 60 | 1 | 2060009 | FRONT BEARING |
| ■ | 1 | 2883460 | SEAL AND O-RING KIT |

■ THIS ITEM IS PART OF AN ASSEMBLY.

*THIS ITEM IS PART OF A KIT AND ONLY LISTED FOR VIEWING PURPOSES.

MOTOR WIRING DIAGRAM

